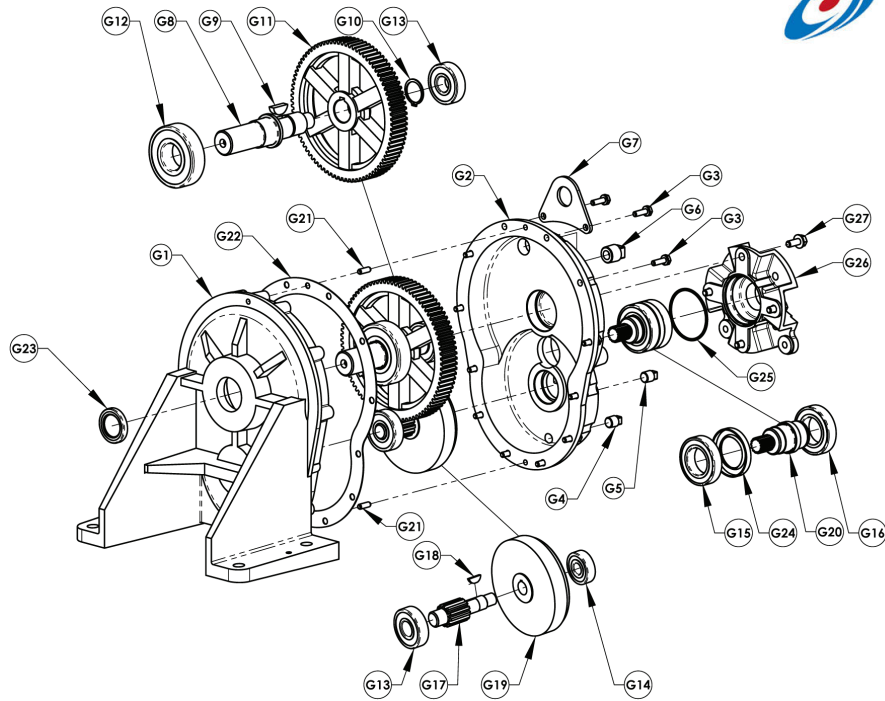


Assembled Pump Repair Parts (Reference Figure A)

Ref. No.	Description	3" Engine Driven Pump Part Number	3" Motor Driven Pump Part Number	2" Engine Driven Pump Part Number	2" Motor Driven Pump Part Number	Qty
A1	Gearbox assembly	Ref Page 8	Ref Page 8	Ref Page 8	Ref Page 8	1
A2	Plunger/diaphragm assembly	Ref Page 9	Ref Page 9	Ref Page 9	Ref Page 9	1
A3	Well assembly	Ref Page 10	Ref Page 10	Ref Page 10	Ref Page 10	1
A4	Plunger guard	3354-103-00	3354-103-00	3354-103-00	3354-103-00	1
A5	¼-20X1/2 Plastic knob	1716-010-00	1716-010-00	1716-010-00	1716-010-00	2
A6	½-13x1-1/2 Hex head cap screw	1766-013-00	1766-013-00	1766-013-00	1766-013-00	2 (3" Version) 4 (2" Version)
A6	½-13x2-1/4 Hex head cap screw	1766-016-00	1766-016-00	N/A	N/A	2
A7	½ Lock washer	1798-001-00	1798-001-00	1798-001-00	1798-001-00	4
A8	Base	3354-001-01	3354-001-01	3360-020-01	3360-020-01	1
A9	½-13x2-3/4 Hex head bolt grade-5	1766-018-00	1766-018-00	N/A	N/A	2
A9	½-13x2-1/4 Hex head bolt grade-5	N/A	N/A	1766-016-00	1766-016-00	2
A10	½-13x2-1/4 Hex head bolt grade-5	1766-016-00	1766-016-00	1766-016-00	1766-016-00	2
A11	½ Flat washer	1798-002-00	1798-002-00	1798-002-00	1798-002-00	4
A12	½ Lock washer	1798-001-00	1798-001-00	1798-001-00	1798-001-00	4
A13	½-13 Hex nut	1782-002-00	1782-002-00	1782-002-00	1782-002-00	4
A14	½-13 Hex jam nut	1782-001-00	1782-001-00	N/A	N/A	2
A15	Mount brace	3354-107-00	3354-107-00	3354-107-00	3354-107-00	2
A16	Engine Mount	3354-108-00	3354-108-00	3354-108-00	3354-108-00	1
A16	Engine Mount Kit for Hatz (incl. 2 brackets)	335Z-101-90	N/A	335Z-101-90	N/A	1
A17	Wheel bracket	3354-109-00	3354-109-00	3354-109-00	3354-109-00	2
A18	Wheel	1663-000-00	1663-000-00	1663-000-00	1663-000-00	2
A19	5/8-11x4 Hex head bolt	1769-000-00	1769-000-00	1759-000-00	1759-000-00	2
A20	5/8 Flat washer	1799-000-00	1799-000-00	1799-000-00	1799-000-00	2
A21	5/8-11 Hex nut	1782-020-00	1782-020-00	1782-020-00	1782-020-00	2
A22	5/16-18x3/4 Hex flange screw	1745-002-00	1745-002-00	1745-002-00	1745-002-00	4
A23	¼-20x3 Hex head bolt	1734-013-00	1734-013-00	1734-013-00	1734-013-00	2
A24	¼ Flat washer	1789-000-00	1789-000-00	1789-000-00	1789-000-00	2
A25	¼-20 Hex nut	1776-000-00	1776-000-00	1776-000-00	1776-000-00	2
A26	3/16 Square key	1517-001-00	1517-001-00	1517-001-00	1517-001-00	1
A27	5/16-24x1 Hex flange screw	1753-000-00	N/A	1753-000-00	N/A	4
A27	3/8-16X1-1/4 Hex head cap screw	N/A	1757-000-00	N/A	1757-000-00	4
A28	Engine ¾ keyed PTO	See chart	N/A	See Chart	N/A	1
A29	5/16-18x1-1/2 Hex head bolt	1748-000-00	N/A	1748-000-00	N/A	4
A30	5/16 Flat washer	1790-000-00	N/A	1790-000-00	N/A	4
A31	5/16-18 Hex nut	1785-000-00	N/A	1785-000-00	N/A	4
A32	Motor	N/A	1626-095-00	N/A	1626-095-00	1
A33	Cord assembly	N/A	3350-352-90	N/A	3350-352-90	1
A34	Switch assembly (not shown)	N/A	3350-351-90	N/A	3350-351-90	1
A35	Handle (not shown)	2152-000-00	2152-000-00	2152-000-00	2152-000-00	1
A36	Nipple pack (2 NPT nipples)	3270-170-00	3270-170-00	3160-170-00	3160-170-00	1

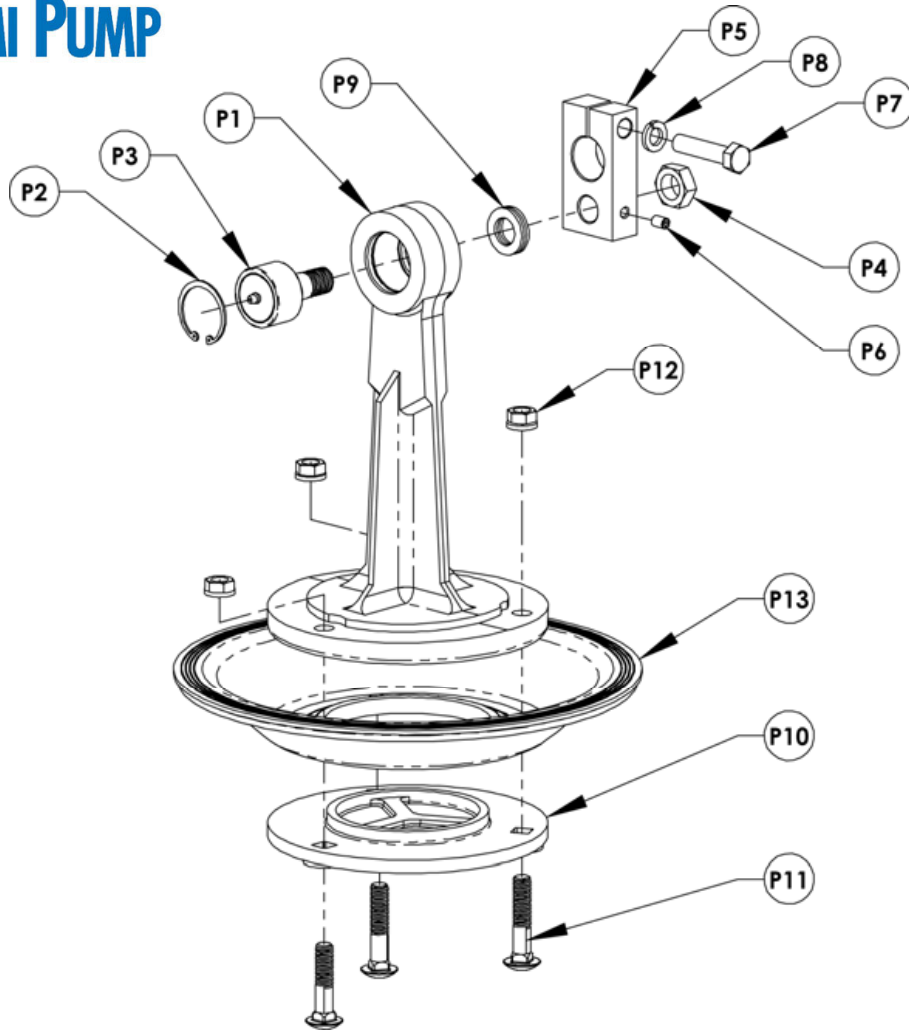
Engine Chart

Ref No.	Description	3" or 2" Diaphragm Pump Models Part Number
A28	Honda GX120UT1QX2	1630-007-00
A28	Honda GX160UT1QX2	1639-017-00
A28	Briggs & Stratton CP550 or Vanguard 5.5	1639-047-00
A28	HATZ 1B20	1630-021-00



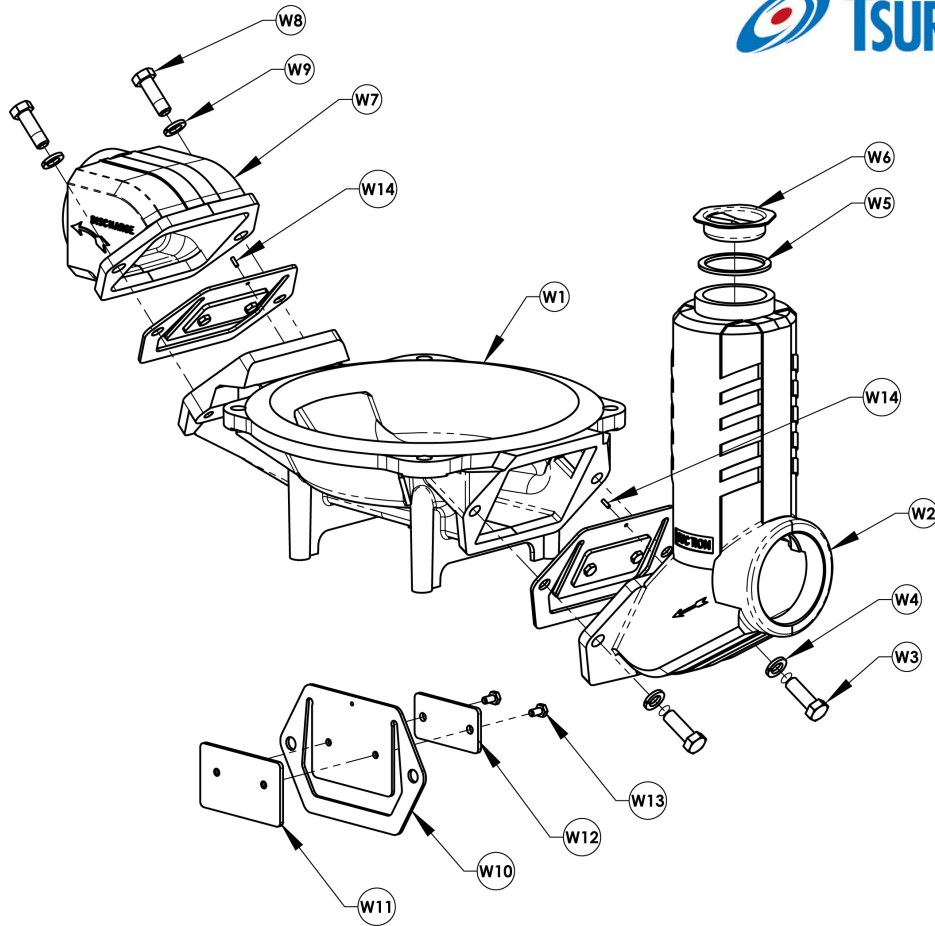
### Gearbox Repair Parts List (Reference Figure G)

Ref. No.	Description	3" PUMPS		2" PUMPS	
		Part Number	Qty	Part Number	Qty
G1	Gearbox output half	3354-090-01	1	3354-090-01	1
G2	Gearbox input half	3354-091-01	1	3354-091-01	1
G3	1/4-20x7/8" Screws and Washer Kit (12 each)	3354-420-90	1	3354-420-90	1
G4	1/4 NPT plug (drain) (kit includes 1)	1767-002-00	1	1767-002-00	1
G5	1/4 NPT plug (oil level) (kit includes 1)	1767-002-00	1	1767-002-00	1
G6	1/2 NPT vented plug (fill) (kit includes 1)	1767-001-00	1	1767-002-00	1
G7	Lift Bracket	3354-106-00	1	3354-106-00	1
G8	Output shaft	3354-140-00	1	3354-140-01	1
G9	Woodruf key #1008	2141-000-00	1	2141-000-00	1
G10	External retaining ring SH-112	1806-064-00	1	1806-064-00	1
G11	Output gear	3354-120-00	1	3354-120-00	1
G12	Bearing –open- 35x80x21 #6307 JEM	3354-190-00	1	3354-190-00	1
G13	Bearing –open- 20x52x15 #6304 JEM	3354-191-00	2	3354-191-00	2
G14	Bearing –open- 15x42x13 #6302 JEM	3354-192-00	1	3354-192-00	1
G15	Bearing –open- 35x62x14 #6007 JEM	3354-194-00	1	3354-194-00	1
G16	Bearing –sealed- 35x62x14 #6007 2RSJEM	3354-193-00	1	3354-193-00	1
G17	Idler pinion shaft	3354-121-00	1	3354-121-00	1
G18	Woodruf key #406	2157-000-00	1	2157-000-00	1
G19	Internal spur gear	2149-000-00	1	2149-000-00	1
G20	Input pinion (3/4 keyed engine)	3354-122-00	1	3354-122-00	1
G20	Input pinion (5/8 keyed 56C motor)	3354-123-00	1	3354-123-00	1
G21	1/4x1 Dowel pin	1717-002-00	1	1717-002-00	1
G22	Gasket	3354-300-00	1	3354-300-00	1
G23	Oil lip seal 1.25x1.75x0.25	2148-000-00	1	2148-000-00	1
G24	Oil lip seal 40x62x8	2148-001-00	1	2148-001-00	1
G25	#143 O-ring –Buna	2181-005-00	1	2181-005-00	1
G26	Adapter (engine)	3354-093-01	1	3354-093-01	1
G26	Adapter (56C motor)	3354-092-01	1	3354-092-01	1
G27	5/16-18x3/4 Hex flange screw	1745-002-00	4	1745-002-00	1
G28	Assembled Gear Box for Gas Engine Models (Includes Ref #'s G1 to G24)	3354-402-90	1	3354-402-90	1
G28	Assembled Gear Box for Electric Models (Includes Ref #'s G1 to G24)	3354-403-90	1	3354-403-90	1



### Plunger Assembly Repair Parts (Reference Figure P)

Ref. No.	Description	3" PUMPS		2" PUMPS	
		Part Number	Qty.	Part Number	Qty.
P1	Plunger	2134-000-01	1	3360-090-01	1
P2	Retaining ring	3350-190-00	1	3360-191-00	1
P3	Plunger bearing (Incl. Ref. P4)	2138-000-90	1	3360-190-90	1
P4	Bearing lock nut	Incl.w/ Ref P3	1	Incl.w/ Ref P3	1
P5	Crank Assembly Kit (Incl. Ref. P6,P7,P8,P9)	2140-000-90	1	3360-094-90	1
P6	5/16-18x1/2 Socket set screw	Incl.w/ Ref P5	1	Incl.w/ Ref P5	1
P7	1/2-13 Hex head cap screw grade-5	Incl.w/ Ref P5	1	Incl.w/ Ref P5	1
P8	1/2 Lock washer	Incl.w/ Ref P5	1	Incl.w/ Ref P5	1
P9	Bearing shim	Incl.w/ Ref P5	2	Incl.w/ Ref P5	1
P10	Diaphragm retaining plate	2133-000-00	1	3360-092-00	1
P11	Carriage Bolt Kit (Contains 3)	3350-011-90	1	3360-011-90	1
P12	1/2-13 Hex nut	1782-001-00	3	N/A	-
P12	3/8-16 Hex nut	N/A	-	1780-000-00	3
P13	Diaphragm (Santoprene)	2132-000-00	1	3360-300-00	1



### Well Assembly Repair Parts (Reference Figure W)

Ref. No.	Description	3" PUMPS Part Number	Qty	2" PUMPS Part Number	Qty
W1	Well	2120-000-01	1	3360-001-01	1
W2	Suction plate	2123-000-01	1	3360-050-01	1
W3	1/2-13x1-1/2 Hex head cap screw grade-5	1766-013-00	2	N/A	-
W3	3/8-16x1-1/2 Hex head cap screw grade-5	N/A	-	1759-001-00	2
W4	1/2 Lock washer	1798-001-00	2	N/A	-
W4	3/8 Lock washer	N/A	-	1793-001-00	2
W5	Gasket	2125-000-00	1	2125-000-00	1
W6	Cap	2124-000-00	1	2124-000-00	1
W7	Discharge plate	2131-000-01	1	3360-052-01	1
W8	1/2-13x1-1/2 Hex head cap screw grade-5	1766-013-00	2	N/A	-
W8	3/8-16x1-1/2 Hex head cap screw grade-5	N/A	-	1759-001-00	2
W9	1/2 Lock washer	1798-001-00	2	N/A	-
W9	3/8 Lock washer	N/A	-	1793-001-00	2
W10	Check valve (neoprene)	see Ref. W15	2	see Ref. W15	2
W11	Check valve weight top	see Ref. W15	2	see Ref. W15	2
W12	Check valve weight bottom	see Ref. W15	2	see Ref. W15	2
W13	1/4-20x1/2 Hex head cap screw	see Ref. W15	4	see Ref. W15	4
W14	1/8 diameter x 3/8 Pin	2121-000-00	2	2121-000-00	2
W15	Flapper Valve Assembly Kit (Includes Ref # W10,W11,W12, W13)	3354-071-90	2	3360-070-90	2
W16	Suction Strainer (not shown)	1680-000-01	1	C230-170-00	1